

ROYAL 
BOTANIA
indulge in finesse

As much as we all love, the warm caress of the sun, we need to seek shelter when its rays gets too intense. Then where better than under the canopy of a stunning Royal Botania umbrella.

While the different collections offer an array of styles, models, sizes and colours, as well as different materials and techniques, all these sunshades have two things in common. They all excel when it comes to technical refinement and ingenuity, and they all make heads turn.

Whether you opt for a more traditional Shady model or a design icon like Palma, your Royal Botania umbrella will provide so much more than just shade. They all make a statement on your terrace.

PALMA 4

BLOOM 10

OAZZ 16

SHADY 22

SHADY SLIM 28

SHADY X-CENTRIC 34

PRICES 40

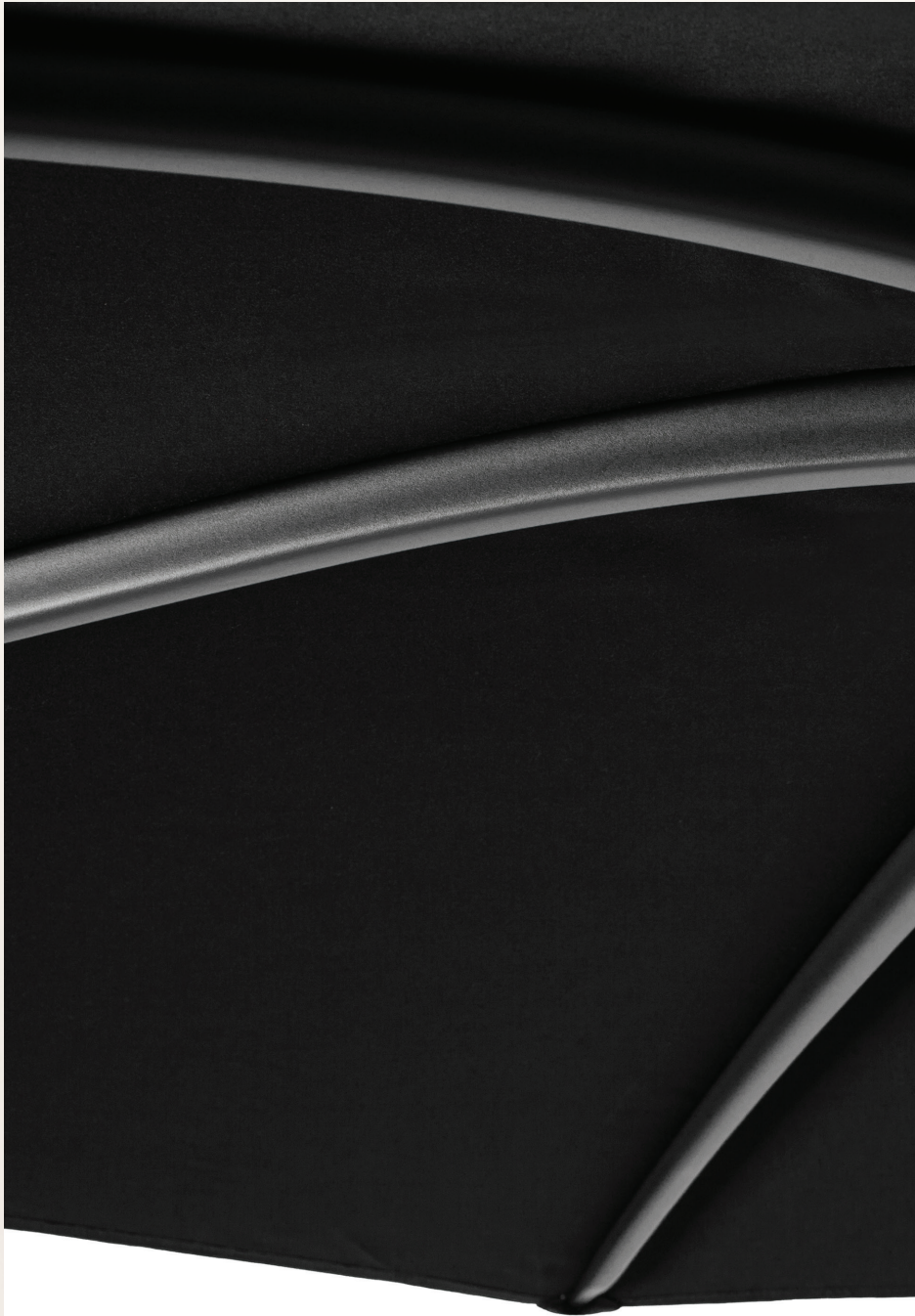
PALMA

While sheltering from the sun under a palm tree, our founder Kris Van Puyvelde looked up, and saw the leaves slowly waving in the wind. It made him wonder why a garden umbrella couldn't look this elegant. That's when the idea of creating a strutless umbrella with the appearance of a palm tree was born.

Two years later, Palma stunned visitors at the Salone de mobile in Milan, and was the talk of the town. Shortly afterwards, it won the prestigious 'Best of best' Red Dot Design award, and featured on the front cover of their Yearbook. Ever since, it has been a common sight on many of the most beautiful terraces around the world.

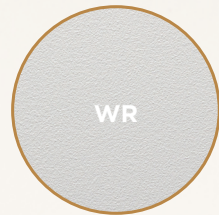
And there is more to it than just its exquisite looks. Its patented, neatly hidden pneumatic system, allows for automatic opening, and easy closing of the umbrella with a simple pull of one rib.





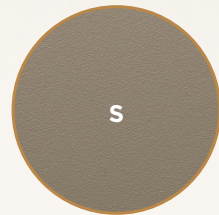


COATED ALUMINIUM & STEEL FRAME



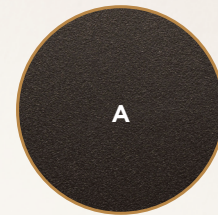
WR

WHITE



S

SAND



A

BLACK

CANOPY FABRIC



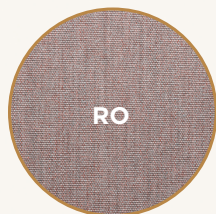
WU

WHITE



SL

SAGE LINEN



RO

ROSE



CAU

CAPPUCCINO



ROU

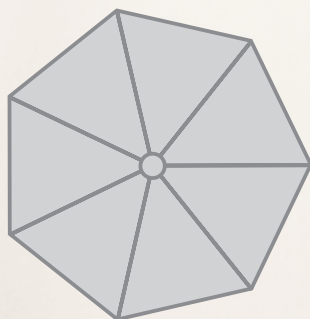
ROCK



ZU

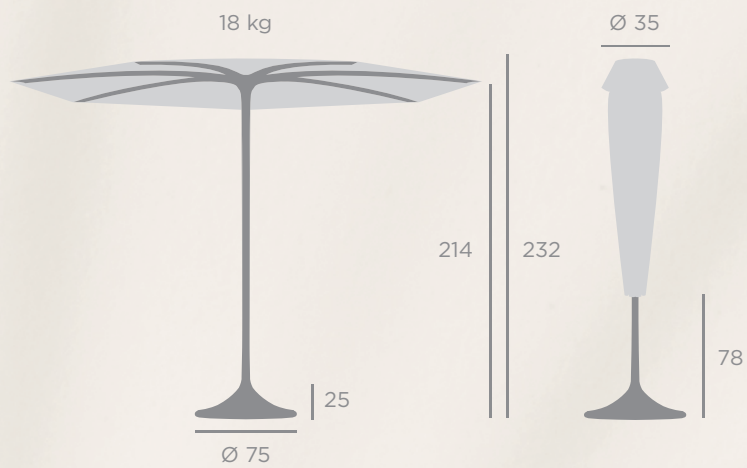
BLACK

Ø 294



PLM300

18 kg



25

Ø 75

214

232

78

Ø 35



reddot award
best of the best

INSTRUCTIONAL VIDEO



PATENTED INTEGRATED GAS SPRING FOR AUTOMATIC OPENING & CLOSING

ORGANICALLY SHAPED TAPERED RIBS

SOLUTION DYED ACRYLIC CANOPY 270G/M2

TAPERED ALUMINIUM POLE

75KG BASE WITH LOCKING LATCH

TIRE FOR EASY MOVEMENT ON THE TERRACE





BLOOM

The smooth organic lines of Palma, the first strutless automatic garden umbrella to see the light of day, form the basis of the Bloom design. Bloom retains the clean lines and organic shape of its predecessor but is a completely different masterpiece in technical terms.

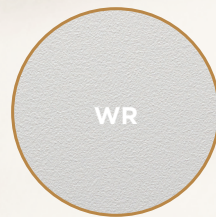
To allow for larger canopy sizes, the pneumatic system of the Palma has here been replaced by a lever-operated spindle system. When the spindle is activated, the upper part of the hub is pulled down to join the lower one, while all the small supporting ribs join neatly into one solid-looking, organically shaped piece. As such, the Bloom shares the good looks of a strutless umbrella. Seen from below, it boasts the elegant appearance of a flower in bloom. Hence the name.



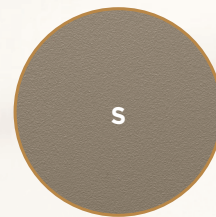




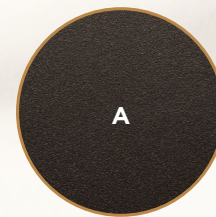
COATED ALUMINIUM & STEEL FRAME



WHITE



SAND



BLACK

CANOPY FABRIC



WHITE



ECRU



BLUE



MOKKA



CAPPUCCINO



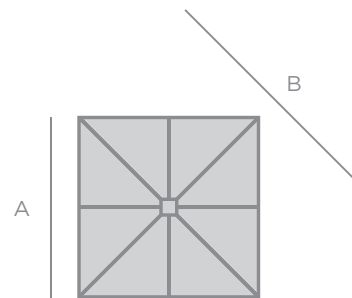
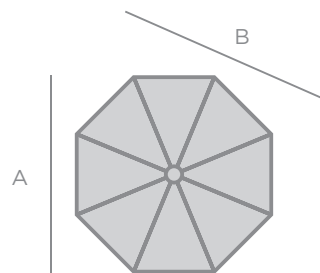
FONDANT



ROCK

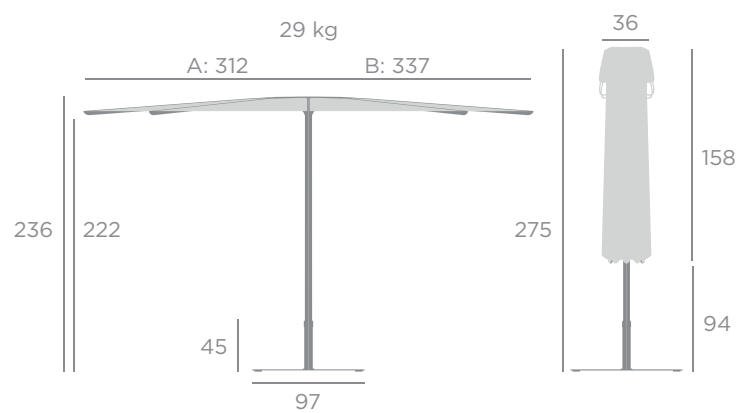


BLACK



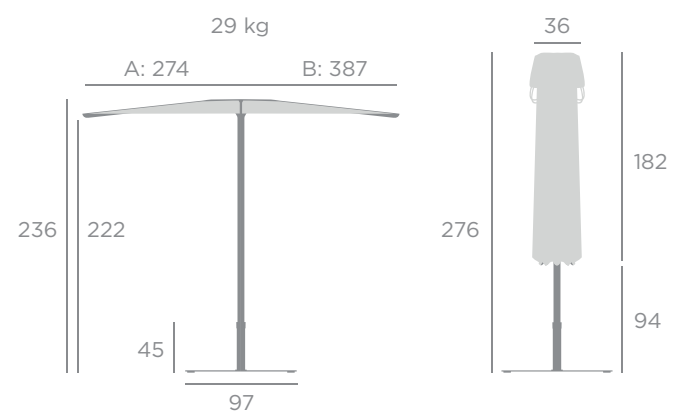
BLM330

29 kg



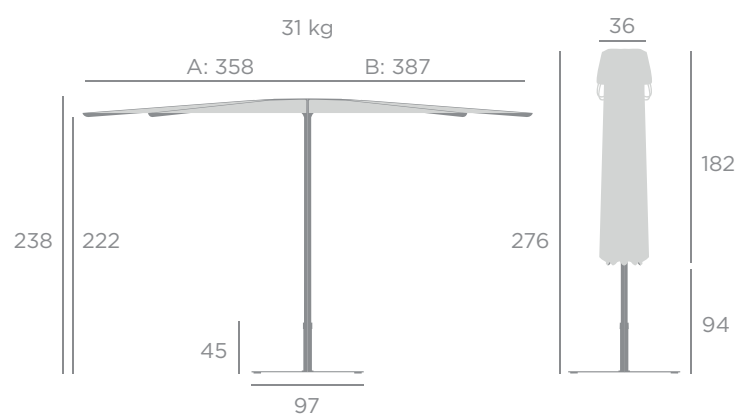
BLM275V

29 kg



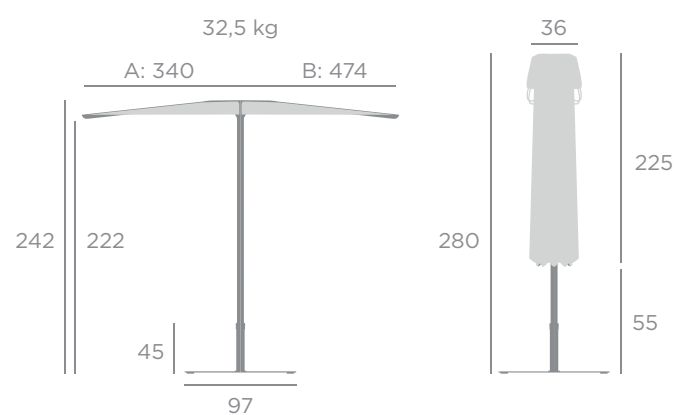
BLM380

31 kg



BLM340V

32,5 kg



INSTRUCTIONAL VIDEO



SOLUTION DYED ACRYLIC CANOPY 280G/M2

ORGANICALLY SHAPED HUB

COATED STAINLESS STEEL POLE

DETACHEBLE SPINDLE

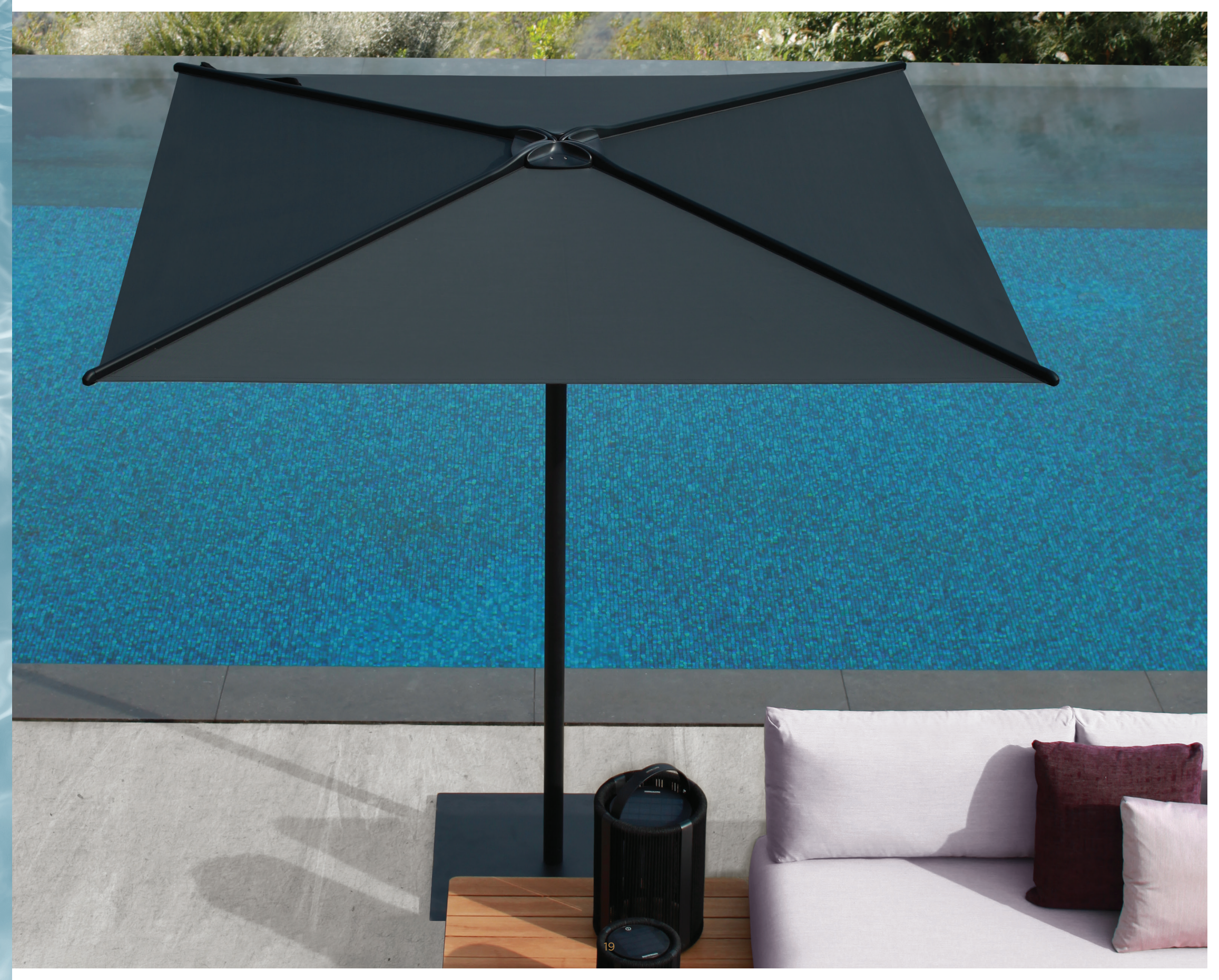
THREADED RING

75KG BASE

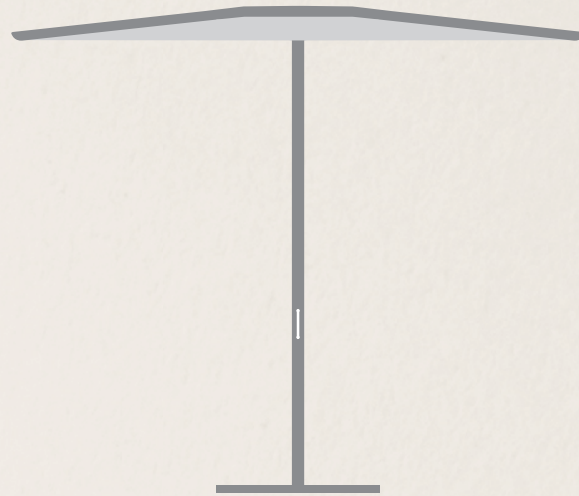


OAZZ

OAZZ shares its technical features with PALMA, giving it the same ease of use, with automatic opening, and easy closing. And while it is just as refined and tasteful, its straight-lined framework gives it a more minimalist look. The Batyline canopy in the OAZZ sits between the ribs, a feature that gives this parasol a very distinctive look. Bloom may well be the most clean-looking garden umbrella on the planet.





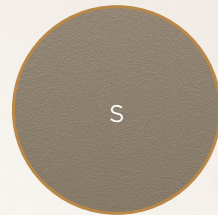


COATED ALUMINIUM & STEEL FRAME



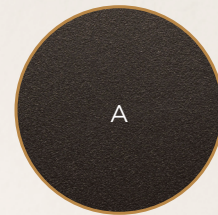
WR

WHITE



S

SAND



A

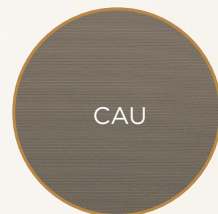
BLACK

CANOPY FABRIC



WU

WHITE



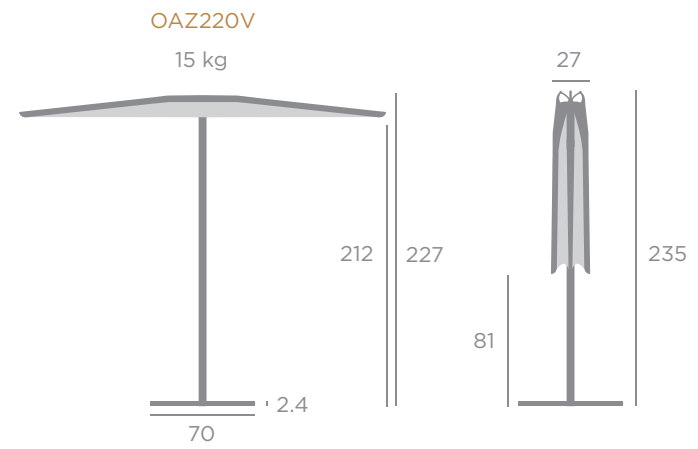
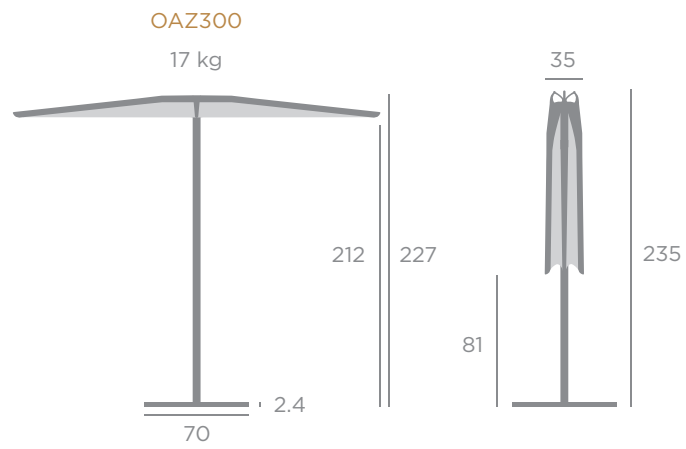
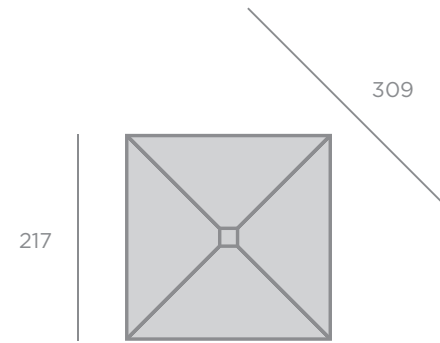
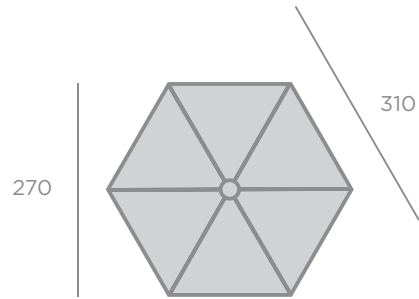
CAU

CAPPUCCINO

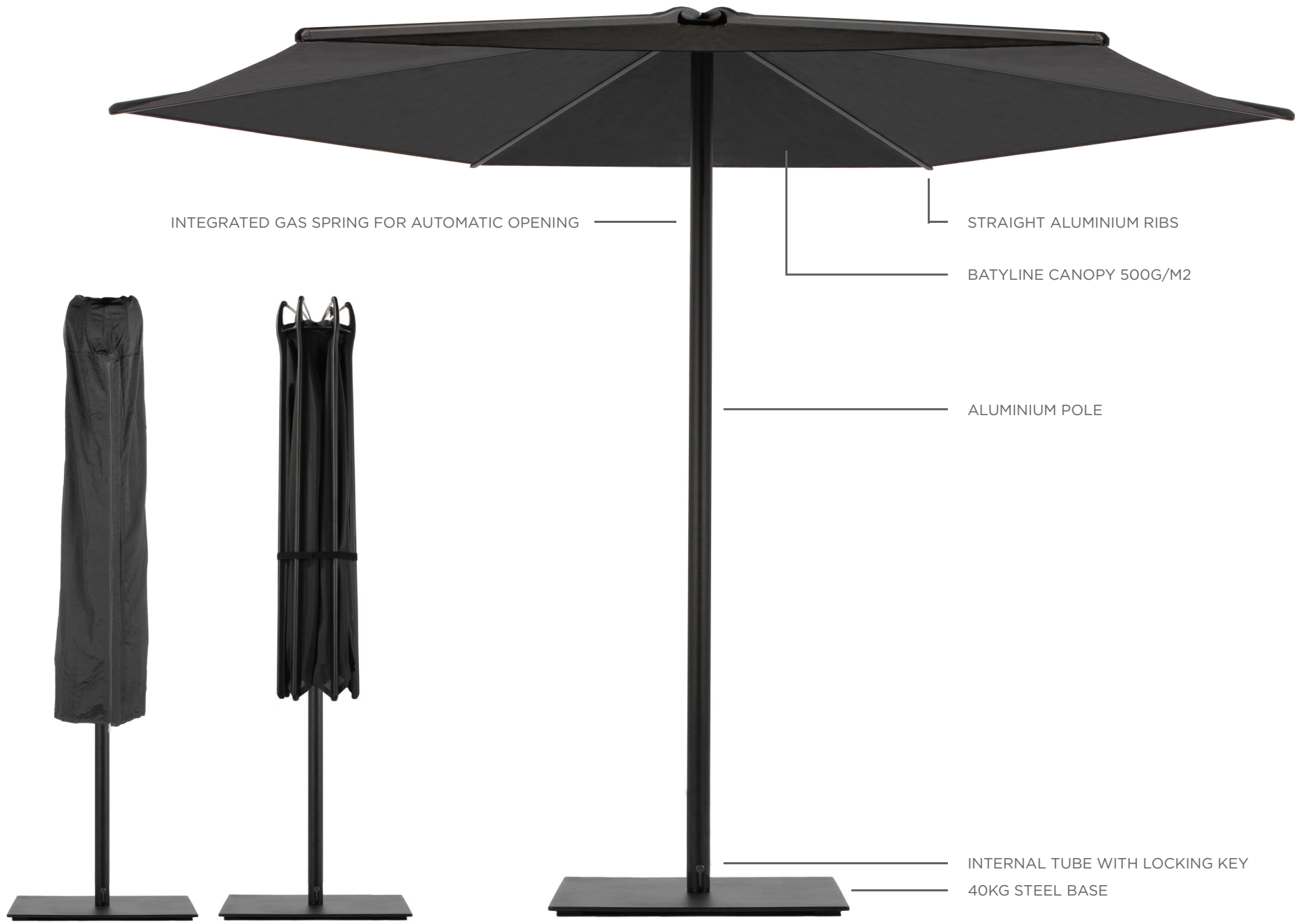


ZU

BLACK



INSTRUCTIONAL VIDEO



INTEGRATED GAS SPRING FOR AUTOMATIC OPENING

STRAIGHT ALUMINIUM RIBS

BATYLINE CANOPY 500G/M2

ALUMINIUM POLE

INTERNAL TUBE WITH LOCKING KEY

40KG STEEL BASE



SHADY

We came too late to invent the traditional umbrella, but not too late to take it to the highest possible level!

Looking at all the details, of the framework, at the cast stainless steel fittings and the superb acrylic covers, you will quickly realize that the Royal Botania Shady is a far cry from previous umbrellas. Shady is without a doubt the pinnacle of luxury and refinement in classical umbrellas.





WOODEN RIBS

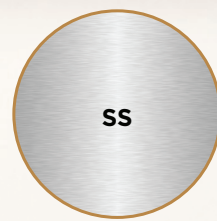


TEAK



TEAK

WOODEN OR STEEL POLE



BRUSHED



ELECTROPOLISHED

CANOPY FABRIC



WHITE



ECRU



BLUE



MOKKA



CAPPUCCINO



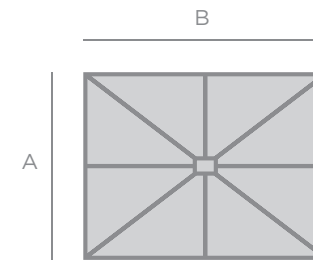
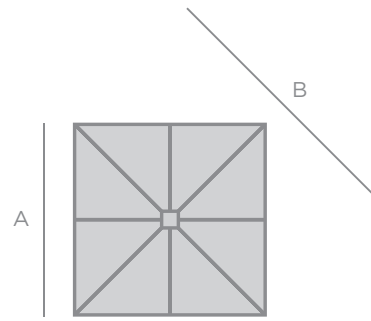
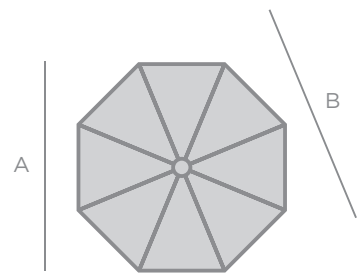
FONDANT



ROCK



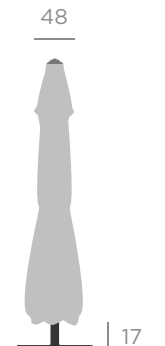
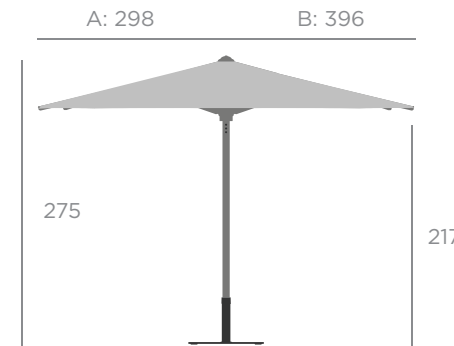
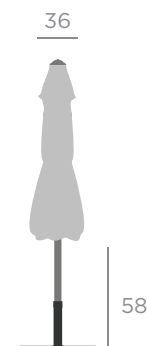
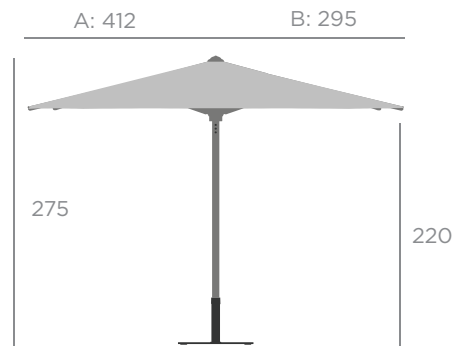
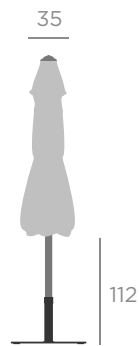
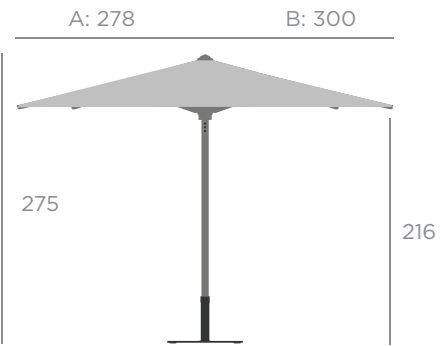
BLACK



SHA30
22,2 kg

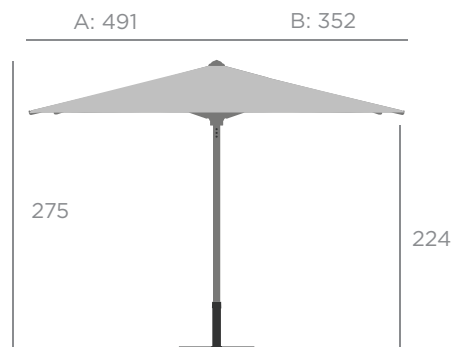
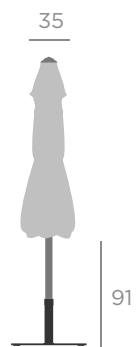
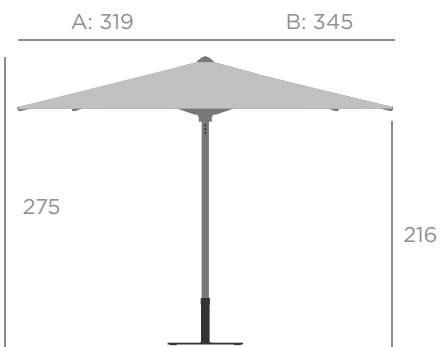
SHA30V
22,2 kg

SHA40R
26,9 kg

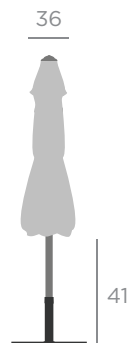
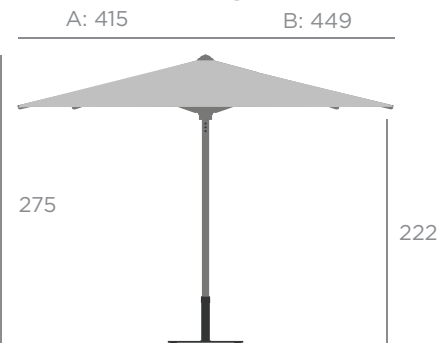


SHA35
23,7 kg

SHA35V
23,5 kg



SHA40
29,2 kg





SHADY SLIM

As the names suggests, this newcomer is a smaller and slimmer version of our Shady family. Featuring exactly the same level of refinement, but on a smaller scale. After all, not everyone is looking for a large umbrella, and these offer just enough shade for a pair of loungers by the pool, or for a small coffee table at which to breakfast in style.







WOODEN RIBS & POLE



W

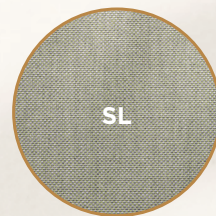
TEAK

CANOPY FABRIC



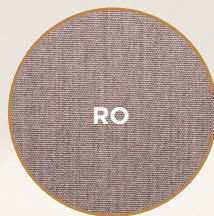
WU

WHITE



SL

SAGE LINEN



RO

ROSE



CAU

CAPPUCCINO



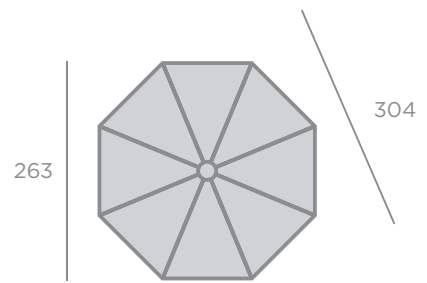
ROU

ROCK



ZU

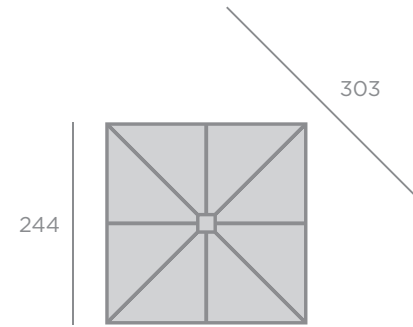
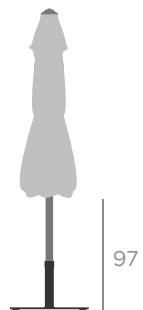
BLACK



SHAS30
9,3 kg



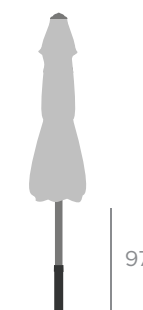
Ø 35



SHAS22V
7,7 kg



Ø 35



INSTRUCTIONAL VIDEO



SOLUTION DYED ACRYLIC CANOPY 280G/M2

"A-GRADE" TEAK RIBS AND HUB

POLISHED STAINLESS STEEL CROWN RINGS, PULLEYS & FITTINGS

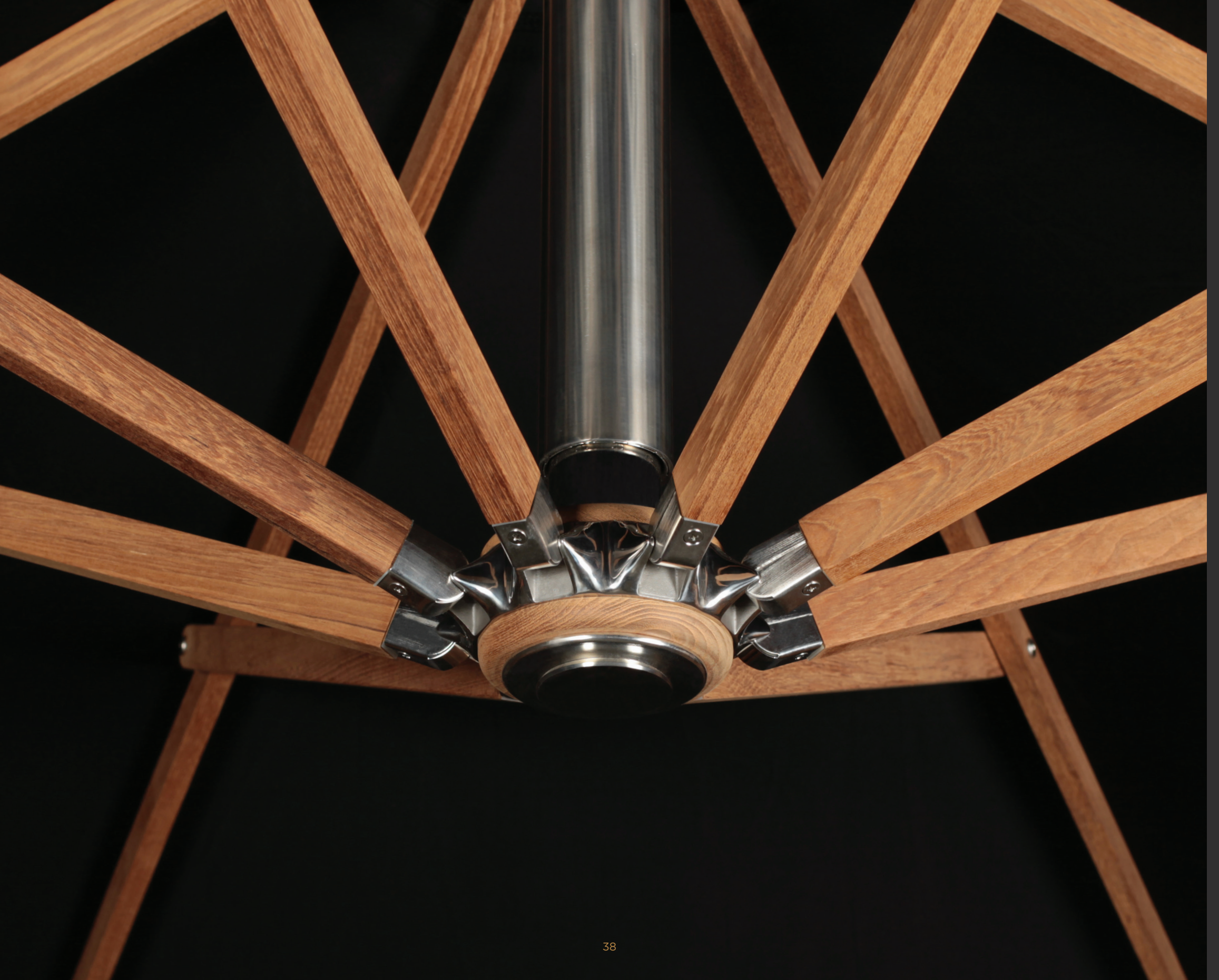
Ø 45 MM TEAK OR STAINLESS STEEL POLE

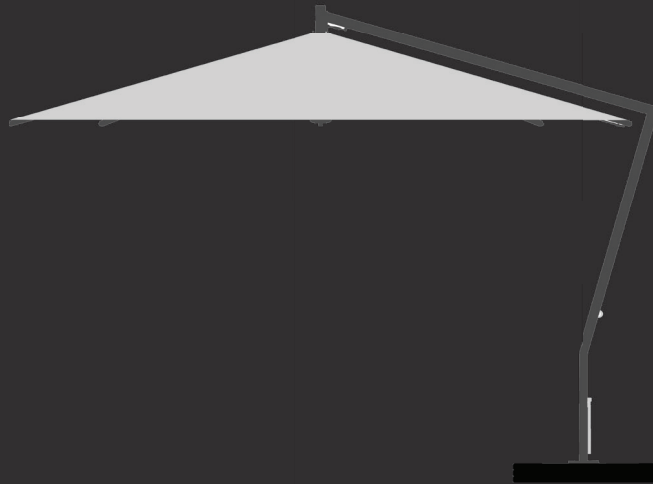


SHADY X-CENTRIC

All SHADY umbrellas are eccentric in a way as they stand out from the crowd in terms of refinement and finish. But this particular SHADY takes being eccentric more literally! The spindle, which is neatly integrated into the stainless-steel pole, allows for easy opening and closing. A clean masterpiece.

OUT 2023!





WOODEN RIBS



TEAK

STEEL POLE



BRUSHED



ELECTROPOLISHED

CANOPY FABRIC



WHITE



ECRU



BLUE



MOKKA



CAPPUCCINO



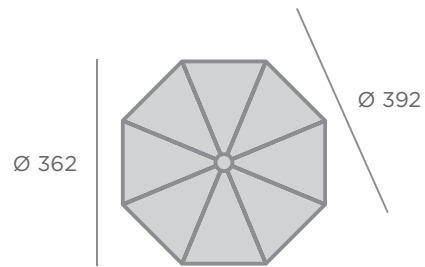
FONDANT



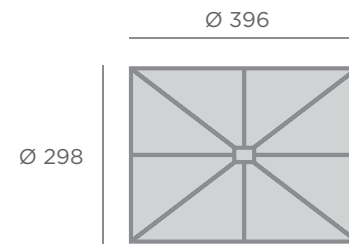
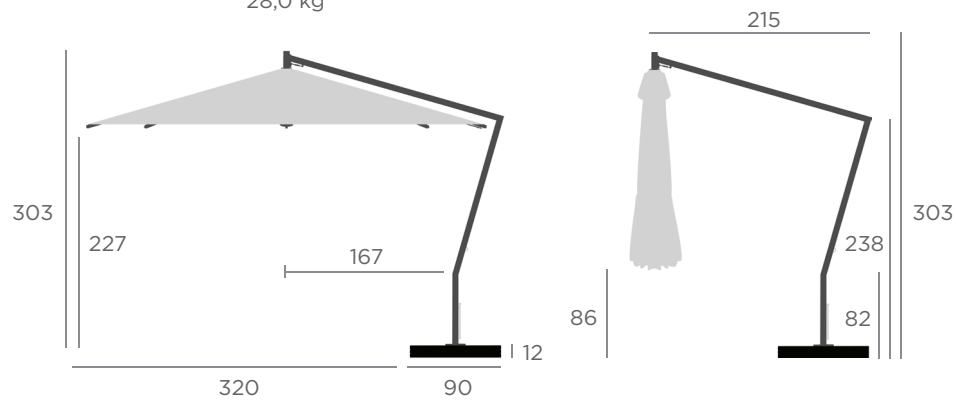
ROCK



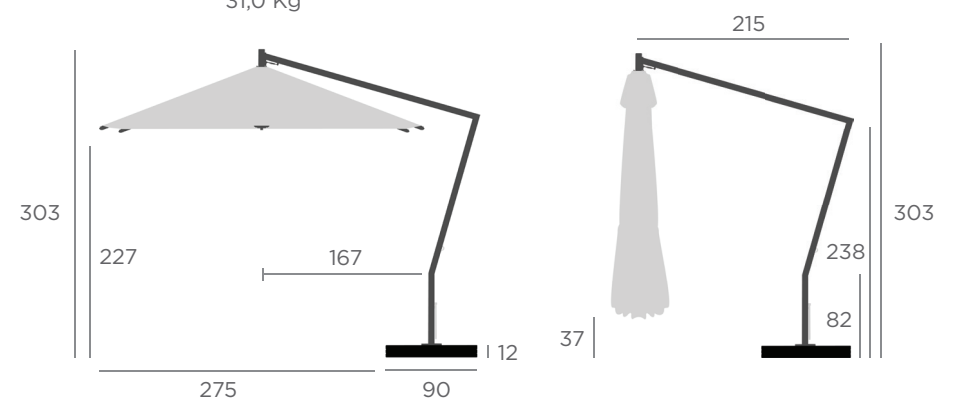
BLACK



SHAX40
28,0 kg



SHAX40R
31,0 Kg



INSTRUCTIONAL VIDEO



COVER SOLUTION DYED ACRYLIC FIBRIC 280G/M2

STAINLESS STEEL CROWN RINGS, PULLEYS & FITTINGS

"A-GRADE" TEAK RIBS AND HUBS

OPENING / CLOSING LEVER

360° ROTATION SPINDLE

300KG GRANITE BASE

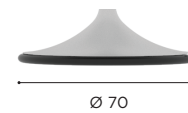
PALMA SPECIFICATIONS

PALMA	
REF:	PLM 300...
VOLUME:	0,4 m ³
WEIGHT:	18 kg
INFO:	ASSEMBLING NEEDED
	COVERBAG INCLUDED
	BASE & BALLAST NOT INCLUDED
	BASE: PLMV70 OR PLMV75

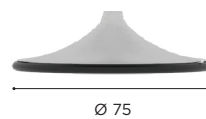


		COATED ALUMINIUM		
		WR	S	A
TEXTILE (CAT.A)	WU	PLM 300 WRWU \$ 4.709	PLM 300 SWU \$ 4.869	PLM 300 AWU \$ 4.869
	CAU	PLM 300 WRCAU \$ 4.869	PLM 300 SCAU \$ 4.709	PLM 300 ACAU \$ 4.869
	ZU	PLM 300 WRZU \$ 4.869	PLM 300 SZU \$ 4.869	PLM 300 AZU \$ 4.709
	ROU	PLM 300 WRROU \$ 5.039	PLM 300 SROU \$ 5.039	PLM 300 AROU \$ 5.039
	RO	PLM 300 WRRO \$ 5.039	PLM 300 SRO \$ 5.039	PLM 300 ARO \$ 5.039
	SL	PLM 300 WRSL \$ 5.039	PLM 300 SSL \$ 5.039	PLM 300 ASL \$ 5.039

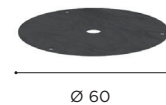
PALMA BASE	
REF:	PLM V 70...
VOLUME:	0,17 m ³
WEIGHT:	48,5 kg



PALMA HEAVY BASE	
REF:	PLM V 75...
VOLUME:	0,19 m ³
WEIGHT:	71 kg



HEAVY BALLAST	
REF:	PLM 300 BALLAST H
VOLUME:	0,19 m ³
WEIGHT:	13 kg



COATED ALUMINIUM		
WR	S	A
PLMV 70 RWR *	PLMV 70 RS *	PLMV 70 RA *
\$ 1.449	\$ 1.449	\$ 1.449

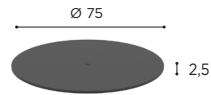
COATED ALUMINIUM		
WR	S	A
PLMV 75 RWR	PLMV 75 RS	PLMV 75 RA
\$ 1.959	\$ 1.959	\$ 1.959

PLM 300 BALLAST H
\$ 899

- FEATURES:
- * ROUND PLATE IN GALVANIZED STEEL
 - * 4 SCREW HOLES
 - * FOR ADDING WEIGHT TO PALMA BASES: PLMV70... OR PLMV75...

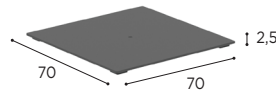
OAZZ SPECIFICATIONS

OAZZ	
REF:	OAZZ 300...
VOLUME:	0,5 m ³
WEIGHT:	17 kg
INFO:	COVERBAG INCLUDED TUBE INCLUDED BASE NOT INCLUDED OPTIONAL WHEELSET



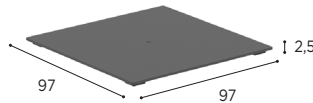
RECOMMENDED COATED METALIZED STEEL BASE	
REF:	CEY V 75RSC...
VOLUME:	0,015 m ³
WEIGHT:	41,5 kg

OAZZ	
REF:	OAZZ 220V...
VOLUME:	0,5 m ³
WEIGHT:	15 kg
INFO:	COVERBAG INCLUDED TUBE INCLUDED BASE NOT INCLUDED OPTIONAL WHEELSET



RECOMMENDED COATED METALIZED STEEL BASE	
REF:	CEY V 70SC...
VOLUME:	0,015 m ³
WEIGHT:	40 kg

RECOMMENDED COATED METALIZED STEEL BASE	
REF:	CEY V 100SC...
VOLUME:	0,020 m ³
WEIGHT:	74 kg



		COATED ALUMINIUM		
		WR	S	A
BATYLINE	WU	OAZZ 300 WRWU \$ 4.459	OAZZ 300 SWU \$ 4.619	OAZZ 300 AWU \$ 4.619
	CAU	OAZZ 300 WRCAU \$ 4.619	OAZZ 300 SCAU \$ 4.459	OAZZ 300 ACAU \$ 4.619
	ZU	OAZZ 300 WRZU \$ 4.619	OAZZ 300 SZU \$ 4.619	OAZZ 300 AZU \$ 4.459

COATED METALIZED STEEL		
WR	S	A
CEY V 75RSC WR \$ 1.279	CEY V 75RSC S \$ 1.279	CEY V 75RSC A \$ 1.279
OPTIONAL WHEELSET (SS) CEY V WS \$ 319		

		COATED ALUMINIUM		
		WR	S	A
BATYLINE	WU	OAZZ 220V WRWU \$ 4.009	OAZZ 220V SWU \$ 4.179	OAZZ 220V AWU \$ 4.179
	CAU	OAZZ 220V WRCAU \$ 4.179	OAZZ 220V SCAU \$ 4.009	OAZZ 220V ACAU \$ 4.179
	ZU	OAZZ 220V WRZU \$ 4.179	OAZZ 220V SZU \$ 4.179	OAZZ 220V AZU \$ 4.009

COATED METALIZED STEEL		
WR	S	A
CEY V 70SC WR \$ 849	CEY V 70SC S \$ 849	CEY V 70SC A \$ 849
OPTIONAL WHEELSET (SS) CEY V WS \$ 319		

COATED METALIZED STEEL		
WR	S	A
CEY V 100 SC WR \$ 1.399	CEY V 100 SC S \$ 1.399	CEY V 100 SC A \$ 1.399
OPTIONAL WHEELSET (SS) CEY V WS \$ 319		

BLOOM SPECIFICATIONS

BLOOM 275V	
REF:	BLM 275V...
VOLUME:	0,6 m ³
WEIGHT:	29 kg
INFO:	COVERBAG INCLUDED BASE & TUBE NOT INCLUDED BASE: CEY V 100SC... OPTIONAL WHEELSET



COATED ALUMINIUM & STAINLESS STEEL				
		WR	S	A
TEXTILE	WU	BLM 275V WRWU \$ 5.779	BLM 275V SWU \$ 5.939	BLM 275V AWU \$ 5.939
	CAU	BLM 275V WRCAU \$ 5.939	BLM 275V SCAU \$ 5.779	BLM 275V ACAU \$ 5.939
	ZU	BLM 275V WRZU \$ 5.939	BLM 275V SZU \$ 5.939	BLM 275V AZU \$ 5.779
	EU	BLM 275V WREU \$ 5.939	BLM 275V SEU \$ 5.939	BLM 275V AEU \$ 5.939
	BU	BLM 275V WRBU \$ 5.939	BLM 275V SBU \$ 5.939	BLM 275V ABU \$ 5.939
	ROU	BLM 275V WRROU \$ 5.939	BLM 275V SROU \$ 5.939	BLM 275V AROU \$ 5.939
	MU	BLM 275V WRMU \$ 5.939	BLM 275V SMU \$ 5.939	BLM 275V AMU \$ 5.939
	FOU	BLM 275V WRFOU \$ 5.939	BLM 275V SFOU \$ 5.939	BLM 275V AFOU \$ 5.939

BLOOM 340V	
REF:	BLM 340V...
VOLUME:	0,6 m ³
WEIGHT:	32,5 kg
INFO:	COVERBAG INCLUDED BASE & TUBE NOT INCLUDED BASE: CEY V 100SC... OPTIONAL WHEELSET



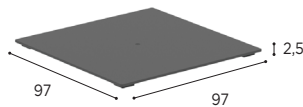
COATED ALUMINIUM & STAINLESS STEEL				
		WR	S	A
TEXTILE	WU	BLM 340V WRWU \$ 6.109	BLM 340V SWU \$ 6.269	BLM 340V AWU \$ 6.269
	CAU	BLM 340V WRCAU \$ 6.269	BLM 340V SCAU \$ 6.109	BLM 340V ACAU \$ 6.269
	ZU	BLM 340V WRZU \$ 6.269	BLM 340V SZU \$ 6.269	BLM 340V AZU \$ 6.109
	EU	BLM 340V WREU \$ 6.269	BLM 340V SEU \$ 6.269	BLM 340V AEU \$ 6.269
	BU	BLM 340V WRBU \$ 6.269	BLM 340V SBU \$ 6.269	BLM 340V ABU \$ 6.269
	ROU	BLM 340V WRROU \$ 6.269	BLM 340V SROU \$ 6.269	BLM 340V AROU \$ 6.269
	MU	BLM 340V WRMU \$ 6.269	BLM 340V SMU \$ 6.269	BLM 340V AMU \$ 6.269
	FOU	BLM 340V WRFOU \$ 6.269	BLM 340V SFOU \$ 6.269	BLM 340V AFOU \$ 6.269

RECOMMENDED COATED STAINLESS STEEL TUBE	
REF:	CEY T 73...
INFO:	TIGHTENING MECHANISM



COATED STAINLESS STEEL		
WR	S	A
CEY T 73 WR \$ 439	CEY T 73 S \$ 439	CEY T 73 A \$ 439

REQUIRED COATED METALIZED STEEL BASE	
REF:	CEY V 100SC...
VOLUME:	0,020 m ³
WEIGHT:	74 kg



COATED METALIZED STEEL		
WR	S	A
CEY V 100 SC WR \$ 1.399	CEY V 100 SC S \$ 1.399	CEY V 100 SC A \$ 1.399
OPTIONAL WHEELSET (SS)		
CEY V WS \$ 319		

BLOOM SPECIFICATIONS

BLOOM 330	
REF:	BLM 330...
VOLUME:	0,6 m ³
WEIGHT:	29 kg
INFO:	COVERBAG INCLUDED BASE & TUBE NOT INCLUDED BASE: CEY V 100SC... OPTIONAL WHEELSET



COATED ALUMINIUM & STAINLESS STEEL				
		WR	S	A
TEXTILE	WU	BLM 330 WRWU \$ 5.859	BLM 330 SWU \$ 6.029	BLM 330 AWU \$ 6.029
	CAU	BLM 330 WRCAU \$ 6.029	BLM 330 SCAU \$ 5.859	BLM 330 ACAU \$ 6.029
	ZU	BLM 330 WRZU \$ 6.029	BLM 330 SZU \$ 6.029	BLM 330 AZU \$ 5.859
	EU	BLM 330 WREU \$ 6.029	BLM 330 SEU \$ 6.029	BLM 330 AEU \$ 6.029
	BU	BLM 330 WRBU \$ 6.029	BLM 330 SBU \$ 6.029	BLM 330 ABU \$ 6.029
	ROU	BLM 330 WRROU \$ 6.029	BLM 330 SROU \$ 6.029	BLM 330 AROU \$ 6.029
	MU	BLM 330 WRMU \$ 6.029	BLM 330 SMU \$ 6.029	BLM 330 AMU \$ 6.029
	FOU	BLM 330 WRFOU \$ 6.029	BLM 330 SFOU \$ 6.029	BLM 330 AFOU \$ 6.029

BLOOM 380	
REF:	BLM 380...
VOLUME:	0,6 m ³
WEIGHT:	31 kg
INFO:	COVERBAG INCLUDED BASE & TUBE NOT INCLUDED BASE: CEY V 100SC... OPTIONAL WHEELSET



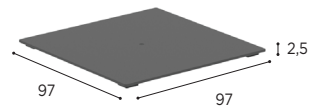
COATED ALUMINIUM & STAINLESS STEEL				
		WR	S	A
TEXTILE	WU	BLM 380 WRWU \$ 6.109	BLM 380 SWU \$ 6.269	BLM 380 AWU \$ 6.269
	CAU	BLM 380 WRCAU \$ 6.269	BLM 380 SCAU \$ 6.109	BLM 380 ACAU \$ 6.269
	ZU	BLM 380 WRZU \$ 6.269	BLM 380 SZU \$ 6.269	BLM 380 AZU \$ 6.109
	EU	BLM 380 WREU \$ 6.269	BLM 380 SEU \$ 6.269	BLM 380 AEU \$ 6.269
	BU	BLM 380 WRBU \$ 6.269	BLM 380 SBU \$ 6.269	BLM 380 ABU \$ 6.269
	ROU	BLM 380 WRROU \$ 6.269	BLM 380 SROU \$ 6.269	BLM 380 AROU \$ 6.269
	MU	BLM 380 WRMU \$ 6.269	BLM 380 SMU \$ 6.269	BLM 380 AMU \$ 6.269
	FOU	BLM 380 WRFOU \$ 6.269	BLM 380 SFOU \$ 6.269	BLM 380 AFOU \$ 6.269

RECOMMENDED COATED STAINLESS STEEL TUBE	
REF:	CEY T 73...
INFO:	TIGHTENING MECHANISM



COATED STAINLESS STEEL		
WR	S	A
CEY T 73 WR \$ 439	CEY T 73 S \$ 439	CEY T 73 A \$ 439

REQUIRED COATED METALIZED STEEL BASE	
REF:	CEY V 100SC...
VOLUME:	0,020 m ³
WEIGHT:	74 kg



COATED METALIZED STEEL		
WR	S	A
CEY V 100 SC WR \$ 1.399	CEY V 100 SC S \$ 1.399	CEY V 100 SC A \$ 1.399
OPTIONAL WHEELSET (SS)		
CEY V WS \$ 319		

SHADY SLIM SPECIFICATIONS

SHADY SLIM	
REF:	SHAS 30 TK...
VOLUME:	0,16 m ³
INFO:	COVERBAG INCLUDED TUBE: CEYT60... NOT INCLUDED BASE NOT INCLUDED

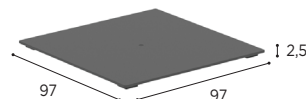
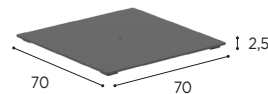
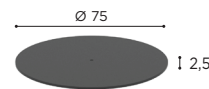
SHADY SLIM	
REF:	SHAS 22V TK
VOLUME:	0,16 m ³
INFO:	COVERBAG INCLUDED TUBE: CEYT60... NOT INCLUDED BASE NOT INCLUDED

REQUIRED COATED STAINLESS STEEL TUBE (SLIM)	
REF:	CEY T 60...
INFO:	TIGHTENING MECHANISM ONLY FOR SHADY SLIM

RECOMMENDED COATED METALIZED STEEL BASE	
REF:	CEY V 75RSC...
VOLUME:	0,015 m ³
WEIGHT:	41,5 kg

RECOMMENDED COATED METALIZED STEEL BASE	
REF:	CEY V 70SC...
VOLUME:	0,015 m ³
WEIGHT:	40 kg

RECOMMENDED COATED METALIZED STEEL BASE	
REF:	CEY V 100SC...
VOLUME:	0,020 m ³
WEIGHT:	74 kg



TEAK	
W	
WU	SHAS 22V TKWU \$ 2.719
CAU	SHAS 22V TKCAU \$ 2.719
ZU	SHAS 22V TKZU \$ 2.719
ROU	SHAS 22V TKROU \$ 2.719
RO	SHAS 22V TKRO \$ 2.719
SL	SHAS 22V TKSL \$ 2.719

TEAK	
W	
WU	SHAS 30 TKWU \$ 3.039
CAU	SHAS 30 TKCAU \$ 3.039
ZU	SHAS 30 TKZU \$ 3.039
ROU	SHAS 30 TKROU \$ 3.039
RO	SHAS 30 TKRO \$ 3.039
SL	SHAS 30 TKSL \$ 3.039

COATED STAINLESS STEEL		
WR	S	A
CEY T 60 WR \$ 409	CEY T 60 S \$ 409	CEY T 60 A \$ 409

COATED METALIZED STEEL		
WR	S	A
CEY V 75RSC WR \$ 1.279	CEY V 75RSC S \$ 1.279	CEY V 75RSC A \$ 1.279
OPTIONAL WHEELSET (SS)		
CEY V WS \$ 319		

COATED METALIZED STEEL		
WR	S	A
CEY V 70SC WR \$ 849	CEY V 70SC S \$ 849	CEY V 70SC A \$ 849
OPTIONAL WHEELSET (SS)		
CEY V WS \$ 319		

COATED METALIZED STEEL		
WR	S	A
CEY V 100 SC WR \$ 1.399	CEY V 100 SC S \$ 1.399	CEY V 100 SC A \$ 1.399
OPTIONAL WHEELSET (SS)		
CEY V WS \$ 319		

SHADY SPECIFICATIONS

SHADY	
REF:	SHA...
VOLUME:	0,2 m ³
INFO:	COVERBAG INCLUDED BASE & TUBE NOT INCLUDED OPTIONAL MOBILE BASE (MOB 65)



		STAINLESS STEEL POLE + TEAK RIBS		EP STAINLESS STEEL POLE + TEAK RIBS		TEAK POLE + TEAK RIBS	
		SS	W	EP	W	W	
	Ø 3	SHA 30 ... *		SHA 30 EP ... *		SHA 30 TK... *	
		\$ 3.839		\$ 3.999		\$ 3.839	
	Ø 3,5	SHA 35 ...		SHA 35 EP ...		SHA 35 TK...	
		\$ 3.999		\$ 4.159		\$ 3.999	
	Ø 4,5	SHA 45 ...		SHA 45 EP ...		SHA 45 TK...	
		\$ 4.159		\$ 4.319		\$ 4.159	
	3 x 3	SHA 30V ...		SHA 30V EP ...		SHA 30V TK...	
		\$ 3.999		\$ 4.159		\$ 3.999	
	3,5 x 3,5	SHA 35V ...		SHA 35V EP ...		SHA 35V TK...	
		\$ 4.239		\$ 4.399		\$ 4.239	
	3 x 4	SHA 40R ...		SHA 40R EP ...		SHA 40R TK...	
		\$ 4.159		\$ 4.319		\$ 4.159	
TEXTILE COLOURS							
		... WU	... EU	... BU	... ROU	... MU	... CAU
						... FOU	... ZU

RECOMMENDED STAINLESS STEEL TUBE	
REF:	CEY T 65 IP...



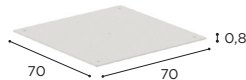
STAINLESS STEEL	
CEY T 65 IP	CEY T 65 IPEP
\$ 289	\$ 319

RECOMMENDED COATED STEEL TUBE	
REF:	CEY T 73...
INFO:	TIGHTENING MECHANISM



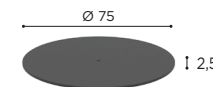
COATED STAINLESS STEEL		
WR	S	A
CEY T 73 WR	CEY T 73 S	CEY T 73 A
\$ 439	\$ 439	\$ 439

RECOMMENDED STAINLESS STEEL BASE	
REF:	CEY V 70 IP...
VOLUME:	0,020 m ³
WEIGHT:	34 kg



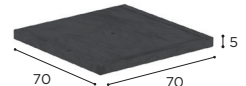
STAINLESS STEEL	
CEY V 70 IP	CEY V 70 IPEP
\$ 1.449	\$ 1.549
OPTIONAL WHEELSET (SS)	
CEY V W	
\$ 329	

RECOMMENDED COATED STEEL BASE	
REF:	CEY V 75RSC...
VOLUME:	0,015 m ³
WEIGHT:	41,5 kg



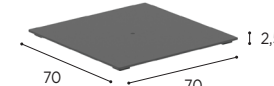
COATED METALIZED STEEL		
WR	S	A
CEY V 75RSC WR	CEY V 75RSC S	CEY V 75RSC A
\$ 1.279	\$ 1.279	\$ 1.279
OPTIONAL WHEELSET (SS)		
CEY V WS		
\$ 319		

RECOMMENDED GRANITE BASE	
REF:	CEY V 70 HBP
VOLUME:	0,020 m ³
WEIGHT:	54 kg



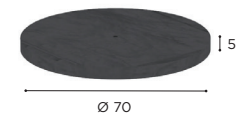
GRANITE	
CEY V 70 HBP	
\$ 619	
OPTIONAL WHEELSET (SS)	
CEY V X HEP	
\$ 649	

RECOMMENDED COATED STEEL BASE	
REF:	CEY V 70SC...
VOLUME:	0,015 m ³
WEIGHT:	40 kg



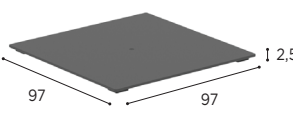
COATED METALIZED STEEL		
WR	S	A
CEY V 70SC WR	CEY V 70SC S	CEY V 70SC A
\$ 849	\$ 849	\$ 849
OPTIONAL WHEELSET (SS)		
CEY V WS		
\$ 319		

RECOMMENDED GRANITE BASE	
REF:	CEY V 70 RBP
VOLUME:	0,020 m ³
WEIGHT:	43 kg



GRANITE	
CEY V 70 RBP	
\$ 549	

RECOMMENDED COATED STEEL BASE	
REF:	CEY V 100SC...
VOLUME:	0,020 m ³
WEIGHT:	74 kg



COATED METALIZED STEEL		
WR	S	A
CEY V 100 SC WR	CEY V 100 SC S	CEY V 100 SC A
\$ 1.399	\$ 1.399	\$ 1.399
OPTIONAL WHEELSET (SS)		
CEY V WS		
\$ 319		

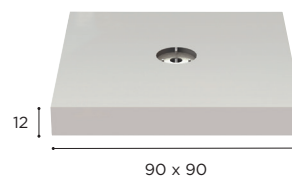
SHADY X-CENTRIC

SHADY X-CENTRIC	
REF:	SHAX...
VOLUME:	0,2 m ³
INFO:	COVERBAG INCLUDED TUBE & GRANITE BASE INCLUDED OPTIONAL MOBILE BASE (MOB X)

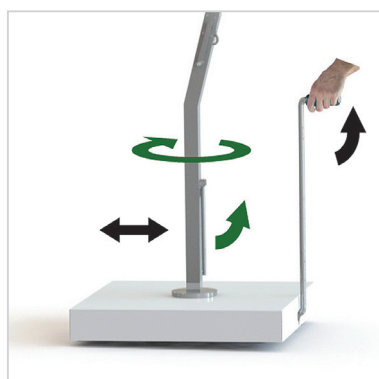


		STAINLESS STEEL POLE + TEAK RIBS		EP STAINLESS STEEL POLE + TEAK RIBS											
		SS	W	EP	W										
	Ø 4	SHAX 40 ...		SHAX 40 EP ...											
		\$ 9.689		\$ 10.289											
	3 x 4	SHAX 40R ...		SHAX 40R EP ...											
		\$ 10.029		\$ 10.629											
TEXTILE COLOURS															
... WU		... EU		... BU		... ROU		... MU		... CAU		... FOU		... ZU	

OPTIONAL MOBILE BASE	
REF:	MOB X...
WEIGHT:	188 kg
INFO:	STAINLESS STEEL OR COATED ALUMINIUM COVER NYLON WHEELS AND DETACHABLE HANDLE FOR MOVING AROUND ON THE TERRACE CONCRETE WEIGHTS INCLUDED



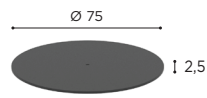
STAINLESS STEEL COVER		COATED ALUMINIUM COVER		
SS	EP	W	CAU	A
MOB X	MOB X EP	MOB X W	MOB X C	MOB X B
\$ 999	\$ 1.249	\$ 1.049	\$ 1.049	\$ 1.049



PARASOL TUBES & BASES

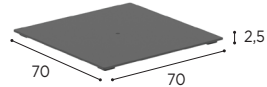
TECHNICALLY ALL COMBINATIONS ARE POSSIBLE.

COATED METALIZED STEEL BASE	
REF:	CEY V 75RSC...
VOLUME:	0,015 m ³
WEIGHT:	41,5 kg



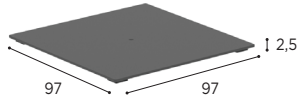
COATED METALIZED STEEL		
WR	S	A
CEY V 75RSC WR	CEY V 75RSC S	CEY V 75RSC A
\$ 1.279	\$ 1.279	\$ 1.279
OPTIONAL WHEELSET (SS)		
CEY V WS		
\$ 319		

COATED METALIZED STEEL BASE	
REF:	CEY V 70SC...
VOLUME:	0,015 m ³
WEIGHT:	40 kg



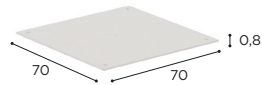
COATED METALIZED STEEL		
WR	S	A
CEY V 70SC WR	CEY V 70SC S	CEY V 70SC A
\$ 849	\$ 849	\$ 849
OPTIONAL WHEELSET (SS)		
CEY V WS		
\$ 319		

COATED METALIZED STEEL BASE	
REF:	CEY V 100SC...
VOLUME:	0,020 m ³
WEIGHT:	74 kg



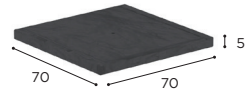
COATED METALIZED STEEL		
WR	S	A
CEY V 100 SC WR	CEY V 100 SC S	CEY V 100 SC A
\$ 1.399	\$ 1.399	\$ 1.399
OPTIONAL WHEELSET (SS)		
CEY V WS		
\$ 319		

STAINLESS STEEL BASE	
REF:	CEY V 70 IP...
VOLUME:	0,020 m ³
WEIGHT:	34 kg



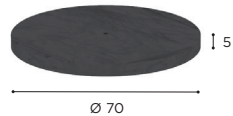
STAINLESS STEEL	
SS	EP
CEY V 70 IP	CEY V 70 IPEP
\$ 1.449	\$ 1.549
OPTIONAL WHEELSET (SS)	
CEY V W	
\$ 329	

GRANITE BASE	
REF:	CEY V 70 HBP
VOLUME:	0,020 m ³
WEIGHT:	54 kg



GRANITE	
CEY V 70 HBP	
\$ 619	
OPTIONAL WHEELSET (SS)	
CEY V X HEP	
\$ 649	

GRANITE BASE	
REF:	CEY V 70 RBP
VOLUME:	0,020 m ³
WEIGHT:	43 kg



GRANITE	
CEY V 70 RBP	
\$ 549	

COATED STAINLESS STEEL TUBE (SLIM)	
REF:	CEY T 60...
INFO:	TIGHTENING MECHANISM ONLY FOR SHADY SLIM



COATED STAINLESS STEEL		
WR	S	A
CEY T 60 WR	CEY T 60 S	CEY T 60 A
\$ 409	\$ 409	\$ 409

COATED STAINLESS STEEL TUBE	
REF:	CEY T 73...
INFO:	TIGHTENING MECHANISM



COATED STAINLESS STEEL		
WR	S	A
CEY T 73 WR	CEY T 73 S	CEY T 73 A
\$ 439	\$ 439	\$ 439

STAINLESS STEEL TUBE	
REF:	CEY T 65 IP...



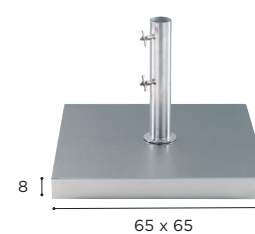
STAINLESS STEEL	
SS	EP
CEY T 65 IP	CEY T 65 IPEP
\$ 289	\$ 319

LONG STAINLESS STEEL TUBE	
REF:	CEY T 65 IPL...
INFO:	FOR BAR TABLES



STAINLESS STEEL	
SS	EP
CEY T 65 IPL	CEY T 65 IPLEP
\$ 359	\$ 399

MOBY BASE	
REF:	MOB 65...
WEIGHT:	23 kg + BALLAST
INFO:	BRUSHED STAINLESS STEEL BODY NYLON WHEELS AND DETACHABLE HANDLE FOR MOVING AROUND ON THE TERRACE TO BE FILLED WITH GRAVEL FOR ADDED WEIGHT POLISHED STAINLESS STEEL TUBE INCLUDED



STAINLESS STEEL	
SS	EP
MOB 65	MOB 65 EP
\$ 1.799	\$ 2.069

ROYAL 
BOTANIA
indulge in finesse